

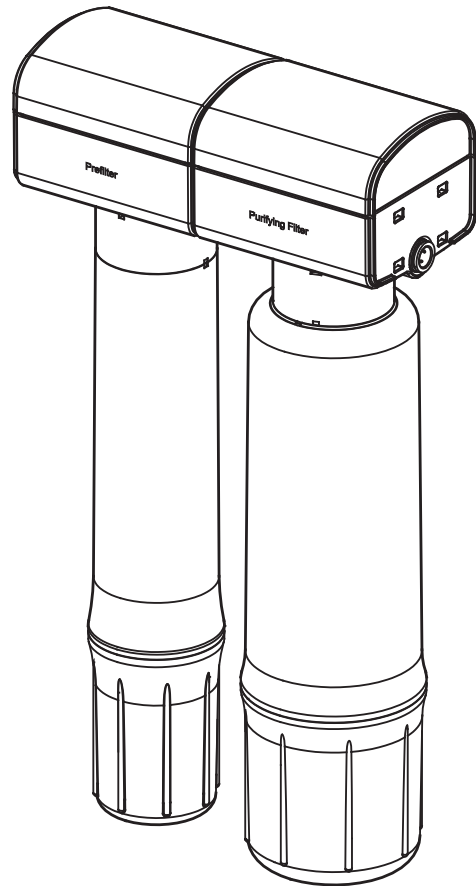


# EcoWater Purification System

A Marmon Water/Berkshire Hathaway Company

## EPS-1000

- ◆ Safety Guides
  - ◆ Installation
  - ◆ Operation
  - ◆ Maintenance
  - ◆ Repair Parts



System tested and certified by NSF International against NSF/ANSI Standards 42 and 53. See performance data sheet for details.



System tested and certified by WQA against NSF/ANSI Standards 42, 53 and USEPA microbiological guide for the reduction of the claims specified on the performance data sheet.



C USA



Designed, Engineered &  
Assembled in the U.S.A.

EcoWater Systems Poland Sp. z o. o.  
Bałtycka 6 St.  
61-013 Poznań, Poland  
[www.ecowater-systems.com](http://www.ecowater-systems.com)



KX Purifier is a trademark of KX Technologies LLC, West Haven, CT

7307445 (Rev. 9/16)

# Table of Contents

Warranty	2
What the Drinking Water System will Do	3
Safety Guides	3
Specifications & Dimensions	3
Components of the System	4
Installer Provides	4
Tools and Materials Needed	4
Typical Undersink Installation	4
Installation Steps	5-7
Step A - Feed Water Supply Fitting	5
Step B - Make Hole for Faucet	5
Step C - Install Faucet	6
Step D - Make Tubing Connections	6-7
Step E - Install Filter Cartridges	7
Step F - Turn On Water, Check for Leaks & Rinse Carbon Fines	7
Filter Cartridges	8
Filter Cartridge Life	8
Filter Cartridge Replacement	8
Troubleshooting the System	9
Exploded View	10
Repair Parts	11

## Warranty

### LIMITED 5 YEAR WARRANTY

EcoWater Systems LLC, guarantees to the original owner that, for a period of five (5) years from from the date of purchase, the drinking water system will be free from defects in material and workmanship.

The prefilter and purifying filter cartridges, which are expendable, are not covered under this warranty.

This warranty does not include normal shipping, installation or service charges.

Any defective part, as described above, which fails within the warranty period will be repaired or replaced by the EcoWater Dealer.

Damage caused by accident, misuse, do-it-yourself repairs is not covered by this warranty.

The producer will not be held liable for damages or lost profits resulting from a malfunction of our products.

In case if problems occur contact your direct seller.

The purchase date evidence is the original invoice or other purchase document.

# What the Drinking Water System will Do

The EPS 1000 is a water purification treatment system. This system uses a dual filter configuration to remove undesirable elements in your water. These elements may include chlorine taste and odor, particulates, lead, virus, bacteria, cysts, and many organic compounds. At the same time, the system allows the minerals found in water to remain, for great tasting water.

The EPS 1000 utilizes patented KX<sup>®</sup> Purifier™ technology to ensure a safe water supply for the user. Replace all filters every 6 months or after treatment of 1325 litres of water (350 gallons). The Purifier™ technology is designed to stop flowing when its capability to protect the user has been exhausted. This one-of-a-kind failsafe technology ensures that the user will not be exposed to contaminated water.

**NOTE:** A performance data sheet is included listing what the system will reduce from the water supply. See the performance data sheet for individual contaminants and microbial reduction performance.

The drinking water system fits under the kitchen or bathroom sink. However, you can install it where it is most convenient. You need a COLD water supply pipe within a few feet (6 feet of tubing is included). You can purchase longer lengths of tubing if needed to reach more distant points. Be sure tubing is acceptable for use on potable water supplies.

## Safety Guides

- ▼ Read all steps and guides carefully before installing and using your undersink drinking water filter system. Follow all steps exactly to correctly install. Reading this manual will also help you to get all the benefits from the undersink drinking water filter system.
- ▼ Do not use for the treatment of water that is visually contaminated (cloudy) or has an obvious contamination source, such as contamination by raw sewage.
- ▼ All plumbing should be done in accordance with local codes and requirements.
- ▼ The undersink drinking water filter system works on water pressures of min. 2,76 bar (40 psi) to max. 6,89 bar (100 psi). If your house water pressure is over the maximum, install a pressure reducing valve in the water supply pipe to the filter system.
- ▼ Do not install the undersink drinking water filter system outside, or in extreme hot or cold temperatures. Temperature of the water supply to the undersink drinking water filter system must be between 4°C (40°F) and 38°C (100°F). Do not install on hot water.

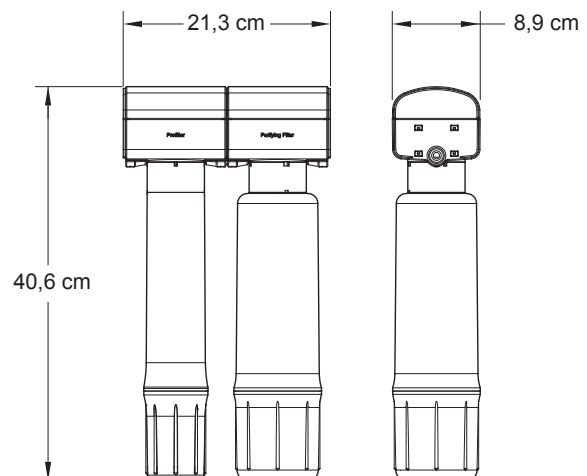
## Specifications & Dimensions

Supply Water Pressure (min.-max.):  
2,76 – 6,89 bar (40 - 100 psi)

Supply Water Temperature (min.-max.):  
4 - 38°C (40 - 100 °F)

Inlet - Outlet of quick connect fittings and tubing included:  
3/8"

Maximum Supply Water Iron, Manganese & Hydrogen Sulfide:  
0



# Components of the System

- Filter system assembly
- Color coded 3/8" OD tubing to make all needed connections
- Parts bag containing mounting washers and screws
- Filtered water faucet assembly, packaged separately

## Installer Provides

- Fitting(s) to tap the cold water pipe for a feed water source to the filter assembly . . . must adapt to 3/8" OD tubing

## Materials and Tools Needed

**NOTE:** Gather the required tools before starting installation. Read and follow the instructions provided with any tools listed here.

- Slotted and Phillips screwdrivers
- Pliers and adjustable jaw wrench
- Tubing cutter
- Electric drill and 1-1/4" drill bit if mounting hole is needed for the faucet

**IMPORTANT:** To avoid damaging the sink, consult a qualified plumber or installer for drilling procedures in porcelain or stainless steel.

## Typical Undersink Installation

Locate the water filter housing on the cold water supply pipe, under the kitchen and/or bathroom sink, to filter the cold drinking water. Refer to the following drawing.

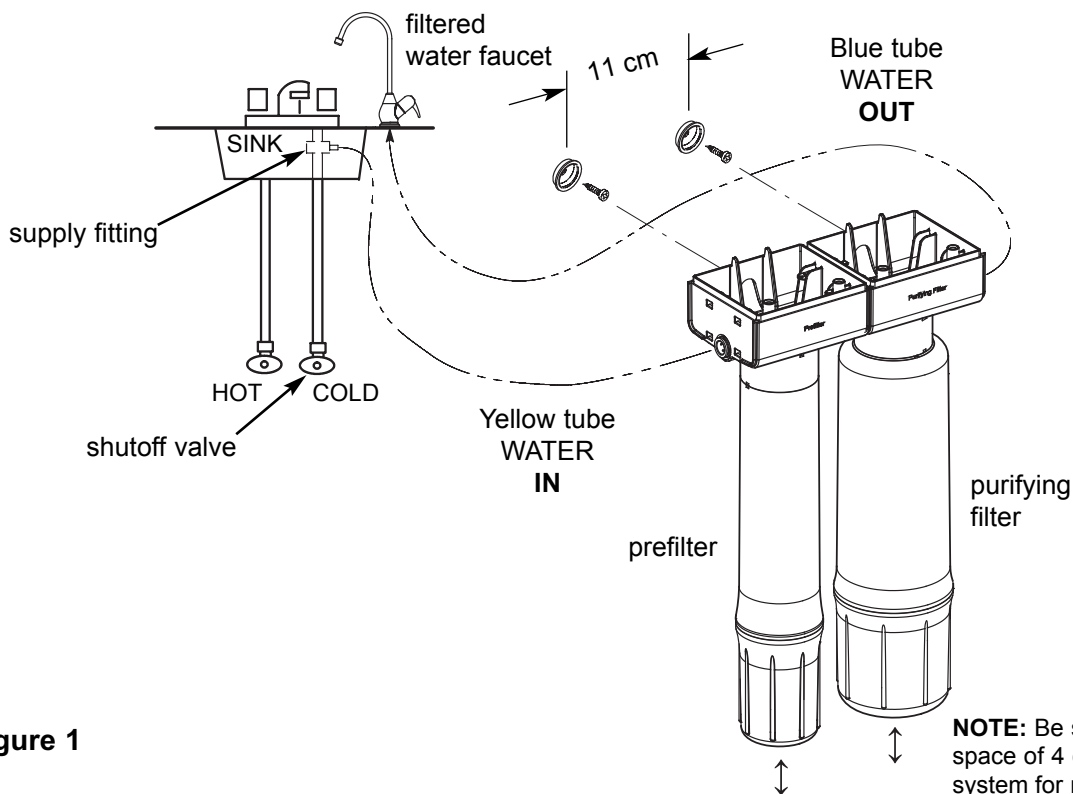


Figure 1

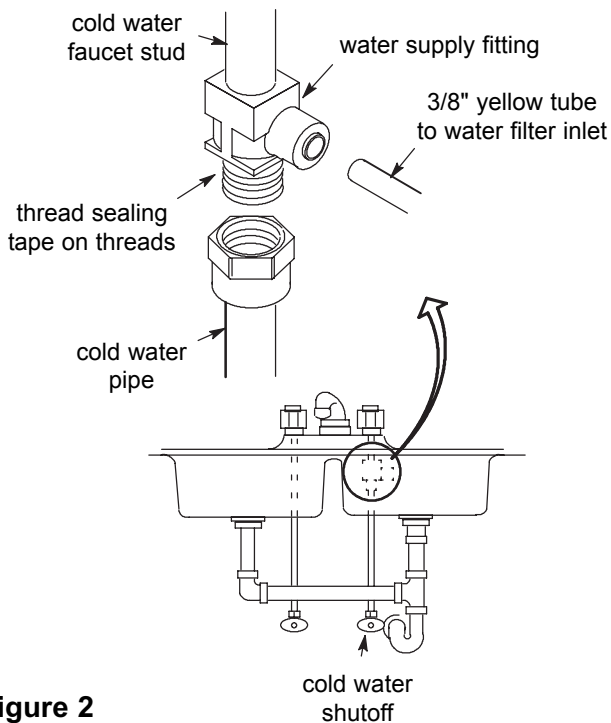
# Installation Steps

## Step A - Feed Water Supply Fitting

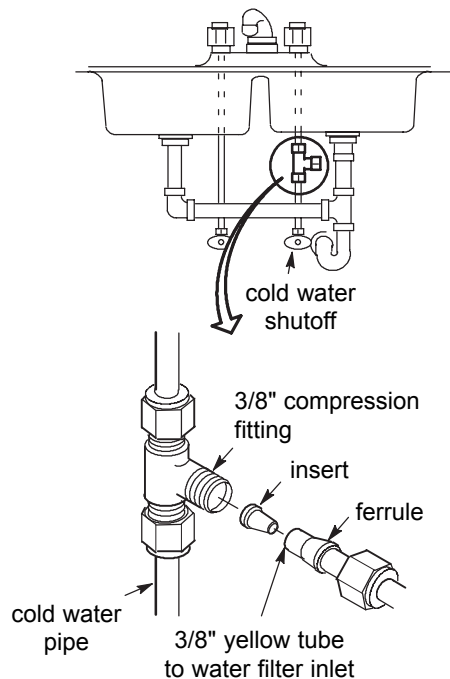
1. **Close the hot and cold water shutoff valves** that are immediately upstream of where you will install the feed water supply fitting. Open faucet(s) to drain water from the sink cold water pipe.

2. **Check and comply with local plumbing codes** as you plan, then install a feed water supply fitting to the sink's cold water pipe. The fitting must provide a leak-tight connection to the water filter's 3/8" OD tubing. See Figure 2, below, for two typical installations (water supply fitting/parts not included). You can use solder or threaded fittings. If threaded fittings are used, be sure to use pipe joint compound or Teflon tape on outside threads.

**A.** Water supply typical connection using EcoWater P/N 7228536 water supply fitting - not included



**B.** Water supply typical connection using compression fitting - parts not included -



**Figure 2**

## Step B - Make Hole For Filtered Water Faucet

**IMPORTANT:** To avoid damaging the sink, consult a qualified plumber or installer for drilling procedures in porcelain, stainless steel or granite. Special drill bits are made for this.

1. Select one of the following places to install the faucet. Be sure there is room underneath so you can make the needed connections.

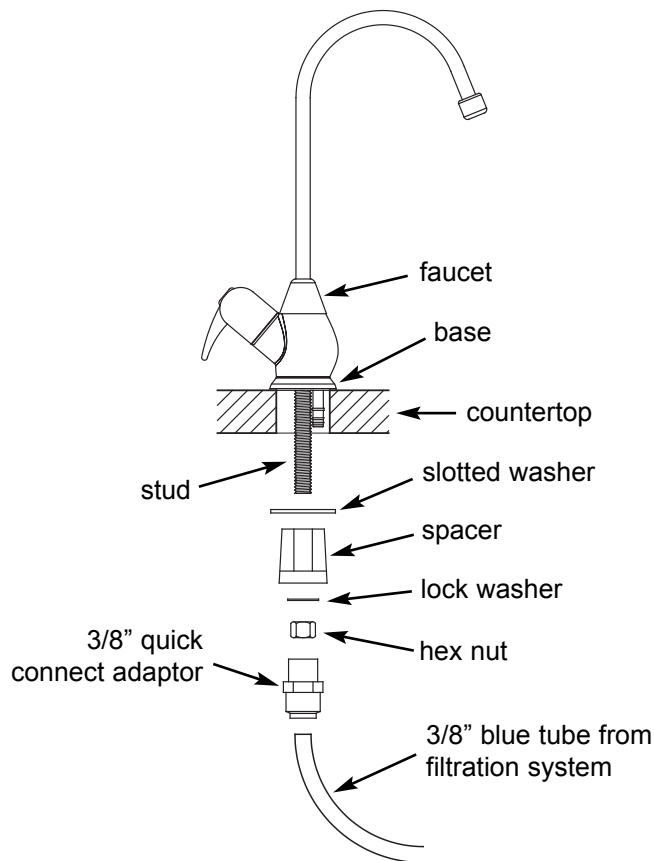
- In an existing sink spray attachment hole.
- Drill a hole in the sink top.
- Drill a hole in the countertop next to the sink.

2. If drilling is needed make a 1-1/4" dia. (minimum) hole for the faucet.

# Installation Steps

## Step C - Install Faucet (packaged separately)

1. Slide the chrome base over the faucet stud so that it will sit below the faucet body (See Fig. 3).
2. Remove the hex nut from the end of the stud. Slide the spacer and lock washer onto the stud. Place the hex nut back onto the stud.
3. Move faucet stud down into the mounting hole until the faucet base rests on the sink or countertop.
4. On the underside of the sink or countertop, slide the slotted washer between the countertop and spacer. Tighten the hex nut securely.
5. Thread the 3/8" quick connect adaptor onto the end of the stud and tighten securely.
6. Connect the 3/8" blue tube by pushing the end into the 3/8" quick connect adaptor (See Page 7).



**Figure 3**

## Step D - Make Tubing Connections

**NOTE: Remove protective foam plugs before connecting tubes (See Fig. 4). Discard foam plugs.**

1. Allowing some slack, measure and cut a length of yellow 3/8" tubing to connect between the supply fitting and the filter system inlet, Figure 1. Cut the ends of the tubing square.
2. Insert yellow tubing all the way into the supply fitting and inlet fitting. Pull on the tubing to be sure that it's held firmly in the fittings.
3. Repeat steps 1 and 2 to connect blue tubing from the faucet to the filter system outlet, Figure 1.

Tubing Connection (all push-in fitting locations):

This system includes push-in fittings for quick tubing connections. If working with the fittings, do the following.

# Installation Steps

continued from the previous page

## Connect Tubing:

1. Use a sharp cutter or knife to cut the end of tubing square.
2. Inspect the end (about 2,5 cm) of the tubing to be sure there are no nicks, scratches or other rough spots. If needed cut the tubing again.
3. Push tubing through the collet and all the way into fitting. Full engagement is 3/4" length of tube into the fitting.

If tubing other than supplied with the system is used, be sure it is of high quality, exact size and roundness with a smooth surface.

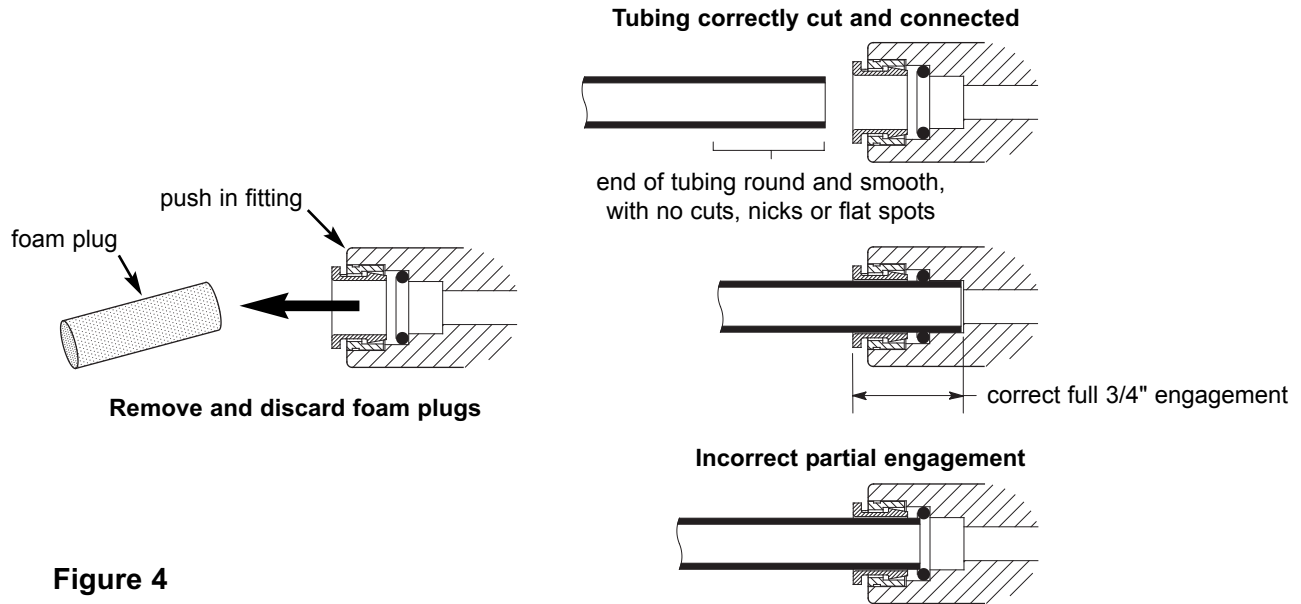


Figure 4

## To Disconnect Tubing:

1. Push the collet inward and hold with a finger while pulling the tubing out.

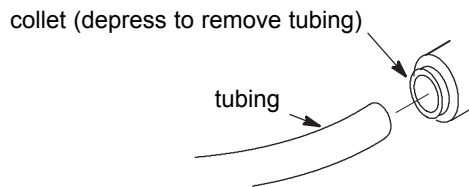


Figure 5

## Step E - Install the Filter Cartridges

1. Remove the plastic wrap from the prefilter and purifying filter cartridges.
2. Install the cartridges onto the water filter head assembly, where shown in Figure 1. Turn cartridges to the right to tighten.

## Step F - Turn On Water, Check for Leaks & Rinse Carbon Fines

1. Open the shutoff valve(s) that you closed at the beginning of this installation.
2. Open the sink faucet and filtered water faucet to purge air from the system. When the water runs smooth, with no bubbles or spurting, close faucets and check your installation for leaks.
3. Open the filtered water faucet and let the water run for 10 minutes to rinse out the carbon fines.

# Filter Cartridges

## Filter Cartridge Life

**Lead, Chlorine Taste and Odor, and Purifying Filter Cartridges:** Lead, chlorine taste and odor, and purifying filter cartridges contain activated carbon. When new, open the filtered water faucet and allow fine, carbon particles to purge from the cartridges. Flush for 10 minutes. It is recommended to **replace filter cartridges every six months or after treatment of 1325 litres of water (350 gallons)**. There are several variables that determine how long a cartridge will last. These include:

1. How much water you use, and
2. How much sediment, taste and/or odor, or other unwanted substance, is in the water.

Use the following information as a guide. However, no matter which type of cartridge you are using, you will know it is time to replace them when you first notice the return of the unwanted sediment, taste and/or odor in your water, or when the flow diminishes or stops.

EcoWater Undersink Drinking Water Filter system model EPS 1000 with replacement elements 7320697 and 7308069 conforms to NSF/ANSI 42 and 53 for the specific performance claims as verified and substantiated by test data. The rated capacity for this system is 350 gallons (1325 liters) at a rated service flow of 2,8 l/min (0.74 gallons per minute).

State of Wisconsin Required Statement: Do not use in Wisconsin with water that is microbiologically unsafe, or of unknown quality, without adequate point of entry (i.e. whole house) disinfection before this device.

## Filter Cartridge Replacement (Replace filter cartridges every six months)

1. Turn filter cartridge to the left to remove cartridges from the filter heads.
2. Dispose of the cartridges in a proper manner.
3. Install new cartridges. Turn cartridges to the right to re-attach to the filter heads.

**Lead, Chlorine Taste and Odor, and Purifying Filter Cartridges:** Lead, chlorine taste and odor, and purifying filter cartridges contain activated carbon, a black powder. When new, open the filtered water faucet and allow fine, carbon particles to purge from the cartridges. Flush for 10 minutes.

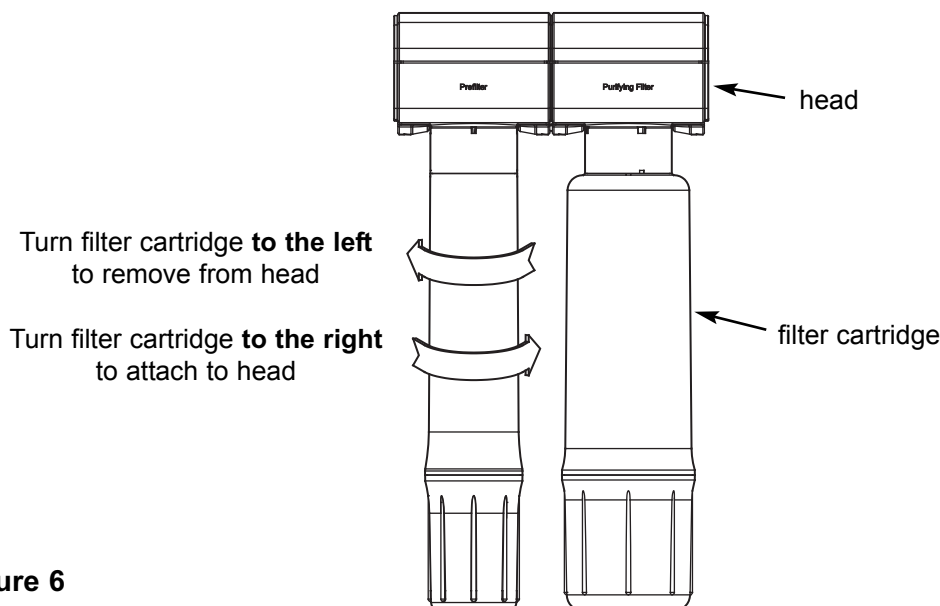


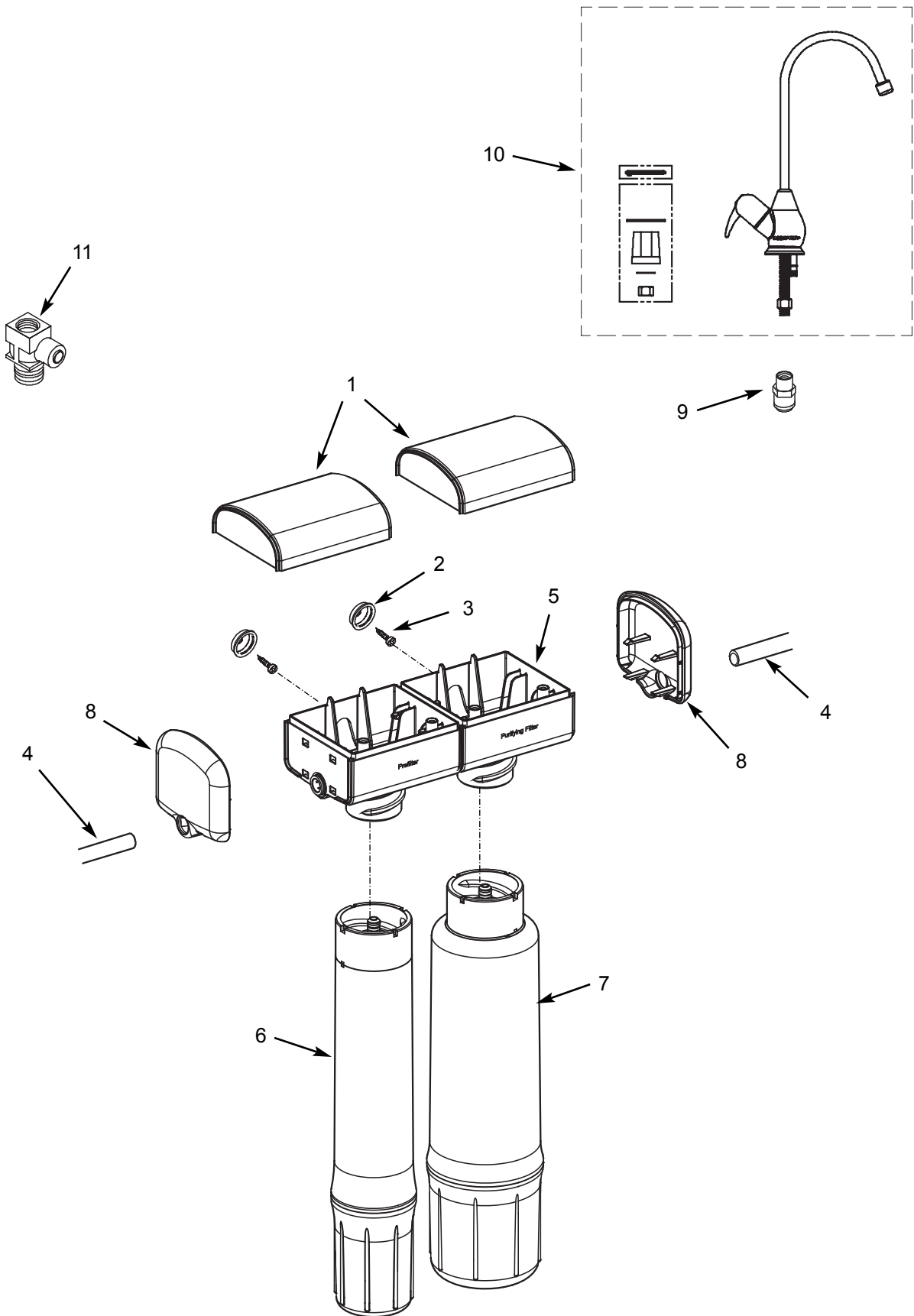
Figure 6



## Troubleshooting the System

<b>Problem: No water flow or decreased water flow.</b>	
<b>Cause:</b> Prefilter is clogged.	<b>Correction:</b> Replace the prefilter cartridge.
<b>Cause:</b> Flow through the purifying filter will decrease and eventually clog when exposed to an excess of microbiological loading materials in the water. This failsafe feature reduces the chance of product use beyond its intended life, and will shut down the filter when it is exposed to contaminated water.	<b>Correction:</b> Replace all filter cartridges.
<b>Problem: Taste and/or Odor.</b>	
<b>Cause:</b> Prefilter is expended.	<b>Correction:</b> Replace all filter cartridges.
<b>Cause:</b> System is contaminated.	<b>Correction:</b> Sanitize system.
<b>Problem: Water leaks at push connect fittings.</b>	
<b>Cause:</b> Tubing is not pushed in all the way.	<b>Correction:</b> Push tubing in all the way into fittings.
<b>Cause:</b> Tubing is not cut square.	<b>Correction:</b> Cut tubing square.
<b>Cause:</b> Tubing is nicked.	<b>Correction:</b> Remove nicked portion, then reinsert tubing into fitting.
<b>Cause:</b> Outer tubing surface is not smooth.	<b>Correction:</b> Remove rough portion, then reinsert tubing into fitting.

# Exploded View



# Repair Parts List

Key No.	Part No.	Description
1	7268382	Cover (2 req'd)
–	7333129	Mounting Hardware Kit (includes 2 ea. of Key Nos. 2 & 3)
2	↑	Hanger Washer (2 req'd)
3	↑	Screw (2 req'd)
4	7168435	Tubing, 3/8" OD x 72" long, White
5	6002900	Head Assembly
6	7320697	Repl. Filter Cartridge, LTO (Lead, Chlorine Taste & Odor)
7	7308069	Repl. Filter Cartridge, Purifying
8	7273379	End Cap (2 req'd)
9	7207920	Connector, 7/16-24 x 3/8" Q.C. Tube
■	7307445	Owner's Manual
<b>Faucet Options &amp; Accessories not included</b>		
10	7272959	Faucet, Chrome
	7277187	Faucet, Brushed Nickel
11	7228536	Tee, Feed Adaptor

■ Not illustrated.

To order parts call your local EcoWater dealer.